

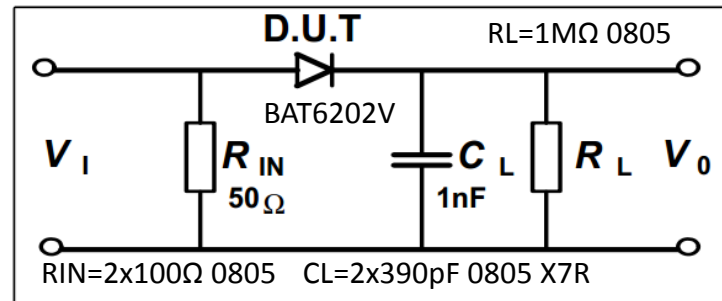
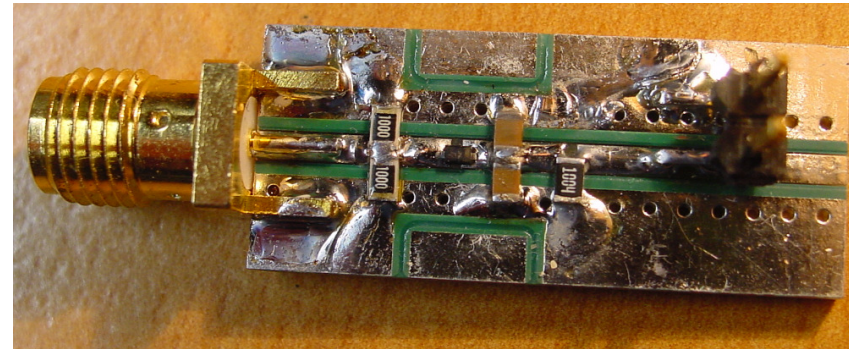
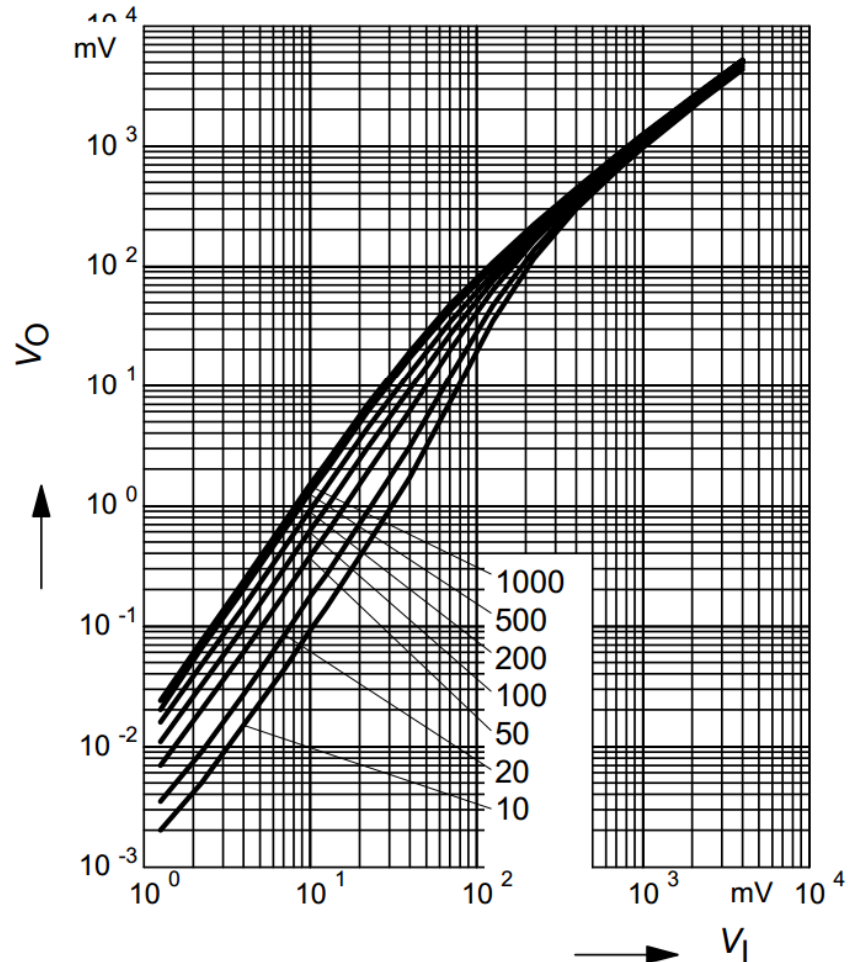
RF-detector with BAT6202V schottky diode

Datasheet:

Rectifier voltage $V_{out} = f(V_{in})$

$f = 900\text{MHz}$

$R_L = \text{Parameter in k}\Omega$



Multimeter
10MΩ
Via 1m coax

Measured response @1GHz

